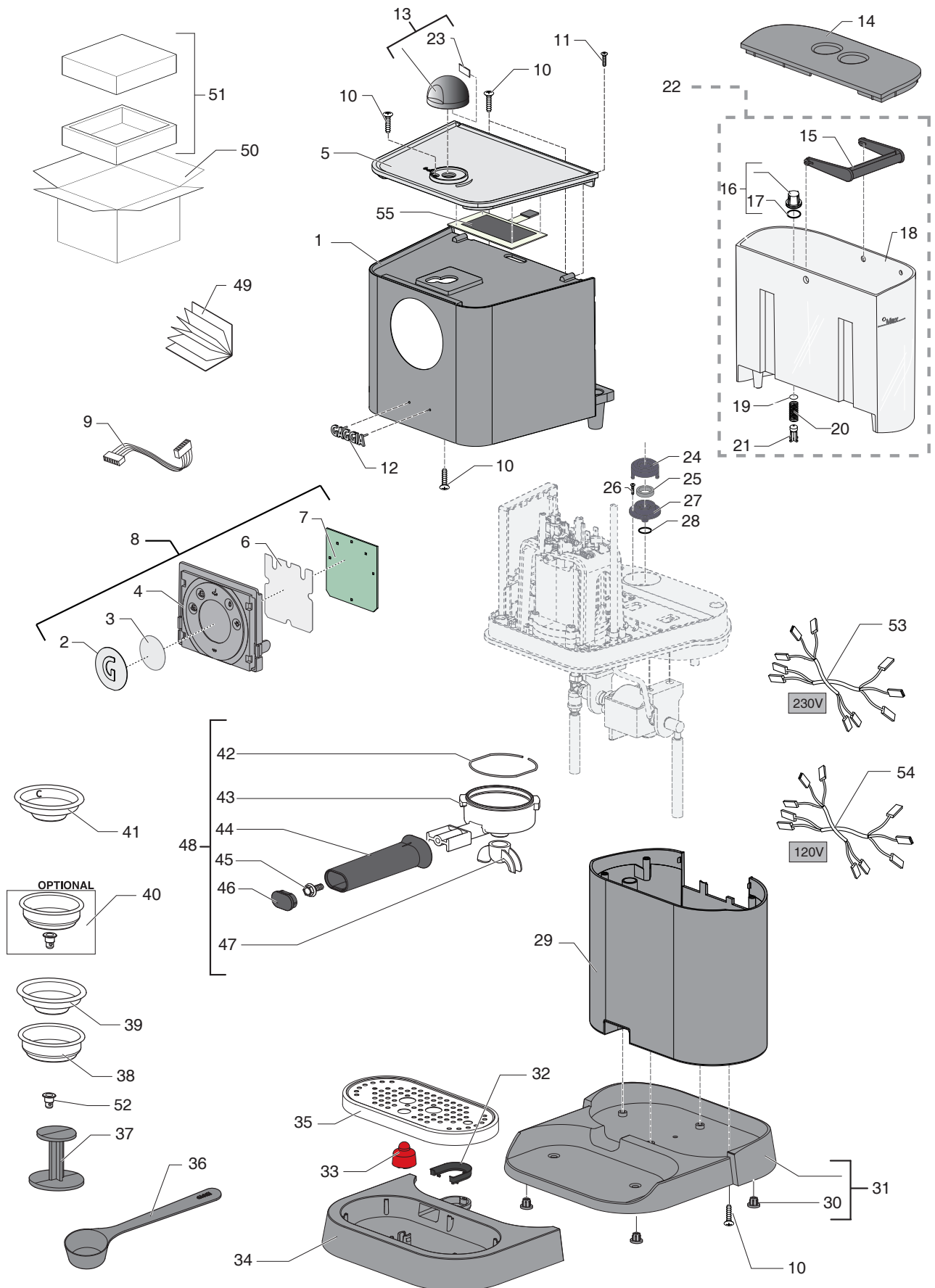


TAV. 1 - Ed. 01



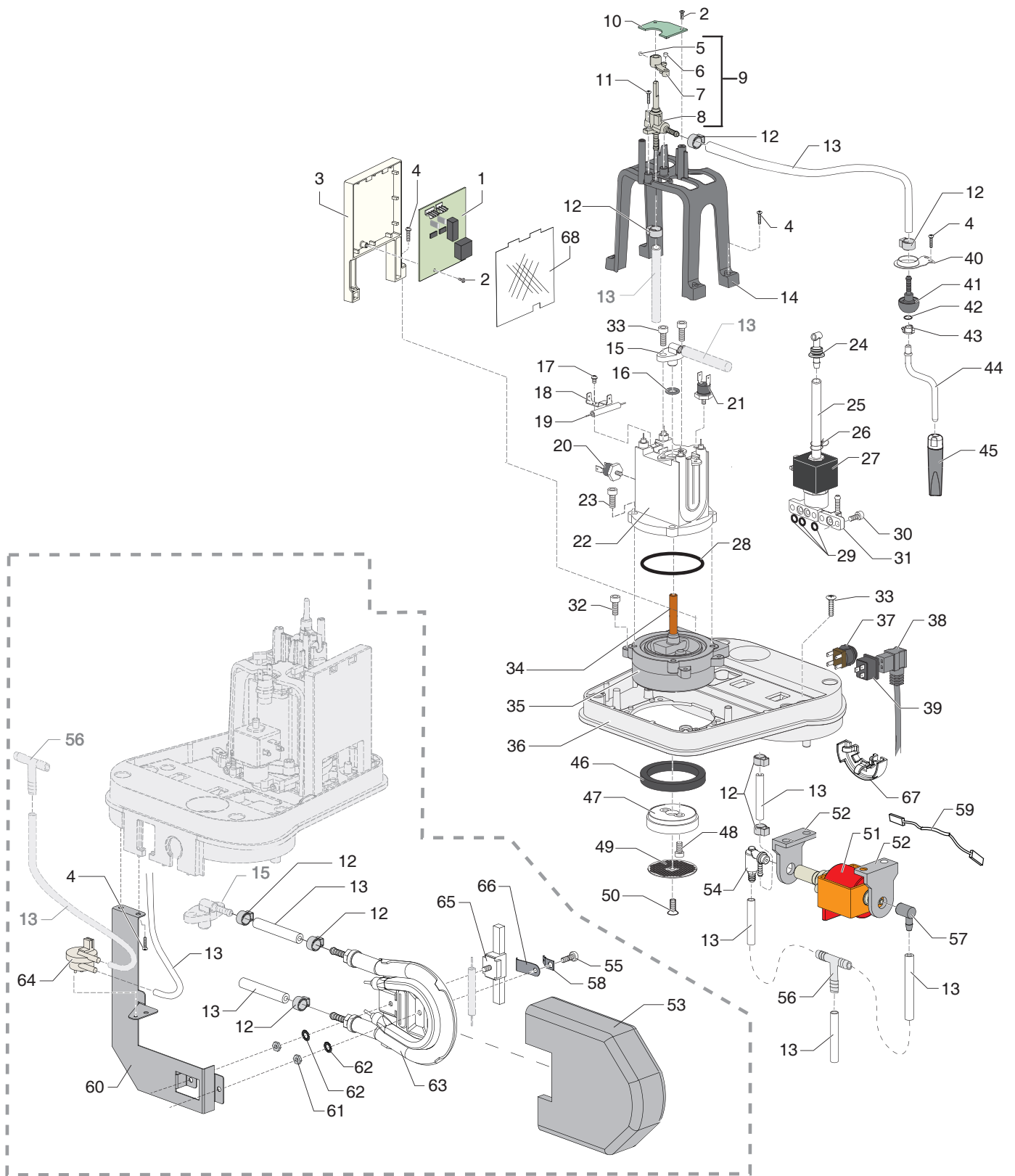
TAV. 1 - Ed. 01

Pos.	Part N°	Descrizione particolare (ITA)	Description of Parts (ENG)
01	8332026030	ASS.CORPO SUPER.INOX TWIN	UPPER INOX BODY ASSEMBLY
	11006964	ASS.CORPO SUPER.INOX TWIN - UL	UPPER INOX BODY ASSEMBLY - UL
02	4332106000	LOGO "G" INOX	LOGO "G" ST.STEEL
03	4332108000	BIADESIVO TESA4959 X LOGO "G"	TWOADHESIVE TESA4959 X LOGO "G"
04	6332029010	SUPPORTO TASTIERA BABY TWIN	SUPPORT KEYBOARD BABY TWIN
05	6332022000	SCALDATAZZE ALLUM.ARG.P8401C	CUP WARMER ALLUMINIUM SILVER
06	4332107000	BIADESIVO X TASTIERA CAPACITIVA	TWOADHESIVE FOR KEYBOARD
07	4332026000	AS.KYB+SW BABY06 CLASS.D/TWIN	KEYBOARD CAPAC.
08	8332030000	ASS.TASTIERA BABY TWIN	KEYBOARD ASSEMBLY BABY TWIN
09	4332062000	CAVO FLAT C/CONNET.14 POLI	FLAT CABLE WITH 14-POLE CONNECTOR
10	DI7981P4.2X16Z	VITE AF 4,2X16 ZINCATA X MAT.P	SELF TAPPING GALV. SCREWPLAST
11	DI7981P2.9X6.5Z	VITE AF 2,9X6,5 ZINCATA X MAT.PLAS.	2,9X6,5 SELF TAPPING SCREWPLAS
12	4332092000	MARCHIO GAGGIA H.12	BRAND GAGGIA H.12
13	11005033	ASSIEME MANOPOLA VAPORE	STEAM KNOB ASSEMBLY
14	6332020000	TAPPO SERBATOIO ARG.P8401C	CAP TANK SILVER
15	4332011000	MANIGLIA	HANDLE
16	224640200	ASS.FILTRO X CONTENITORE ACQUA	WHITE WATER CONTAINER EXT.FILTER ASSY.
17	140328461	OR METRICO 0190-10 IN EPDM	EPDM OR METRIC 0190-10
18	4332018000	SERBATOIO ACQUA	WATER TANK
19	140324362	OR METRICO 0060-30 IN SILICONE	OR METRIC 0060-30 IN SILICONE
20	126764718	MOLLA CILINDRICA X VALVOLA CONTEN.ACQUA	SPRING FOR WATER CONTAINER VALVE
21	147660562	PISTONCINO X VALVOLA CONTEN.ACQUA GRIGIO	GREY WATER VALVE CONTAINER PISTON
22	8332023000	ASS.SERBATOIO	TANK ASSEMBLY
23	DM0814	MOLLETTA MANOPOLA TYMER	SPRING FOR KNOB
24	0701.031.150	COPERTURA GUARNIZIONE GRIGIO	SEAL COVER GREY
25	145842900	GUARNIZ.GACO DIM 14 X VALV.CONTEN. ACQUA	WATER CONTAIN.VALVE SEAL GACO DIM14
26	129535721	VITE TSP 3,5X9,5 LAMIERA INOX	SCREW TSP TORX 10 3,5X9,5 SHEET SS
27	0701.014.150	CONTENITORE GUARNIZIONE GRIGIO	SEAL CONTAINER GREY
28	140320461	OR ORM 0080-20 IN TERMOIL	OR ORM 0080-20 IN TERMOIL
29	8332027000	ASS.CORPO CENTR.INOX	ASS.CENTRAL SHELL ST.STEEL
30	WGAFG0245	PIEDINO	FOOT
31	6332014000	PIASTRA INFER.ALLUM.VERN.ARG/8401C	8401C/SILVER ALUMINIUM LOWER PLATE
32	4332089000	GUARNIZIONE X BACINELLA	GASKET FOR TRAY
33	145501411	GALLEGGIANTE VASCA RECUP.ACQUA P117 ROSSO	RED FLOAT FOR DRIP TRAY P117
34	6332001000	BACINELLA ALLUM.ARG.P8401C	SILVER ALUMINIUM TRAY
35	4332005000	GRIGLIA	GRID
36	WGADM1017	MISURINO 7 GR.	MEASURE
37	WGA2PR/1	PRESSINO	SEPARATOR
38	11007038	FILTRO CREMA PERFETTA D.0,6 MM.	PERFECT CREMA FILTER D.0,6 MM.
39	11011693	FILTRO CREMA PERFETTA DOSE SINGOLA	PERFECT CREMA FILTER
40	21000491	KIT FILTRO CREMA PERFETTA	PERFECT CREMA FILTER KIT
41	11005535	FILTRO X CIALDA	FILTER FOR POD
42	18G1514	MOLLA PER PORTAFILTRO	RETAINING - FILTER SPRING
43	6301002000	COPPA PORTAFILTRO	FILTER HOLDER CUP
44	4332037000	MANOPOLA PORTAFILTRO	KNOB FILTER HOLDER
45	WGADM1319	VITE A TESTA ESAG.CON FINTA ROND.ZIGR.	6X16 GALVAN. SPECIAL SCREW
46	4332038000	TAPPO MANOPOLA PORTAFILTRO	CAP KNOB FILTER HOLDER
47	WGA6301004010	BECCUCCIO 2 VIE CROMATO	2-WAY SPOUT CHROME
48	8332018000	ASS.COPPA PORTAFILTRO (CROM.)	FILTER BASKET (CHROM.)
49	15002240	LIBR.ISTR.V2 BABY06 TWIN	INSTRUCTIONS MANUAL V2 BABY06 TWIN
	15002735	LIBR.ISTR.V2 BABY06 TWIN BRA	INSTRUCTIONS MANUAL V2 BABY06 TWIN BRA
	15001667	LIBR.ISTR.V2 BABY06 TWIN CHN	INSTRUCTIONS MANUAL V2 BABY06 TWIN CHN
50	4332103000	SCATOLA IMBALLO BABY06 CLASS/D/TWIN	BOX PACKAGING BABY06 CLASS
	13000482	SCATOLA ESTERNA NEW BABY06/ESPRESSO06	EXTERNAL BOX NEW BABY06/ESPRESSO06

TAV. 1 - Ed. 01

Pos.	Part N°	Descrizione particolare (ITA)	Description of Parts (ENG)
51	20006917	KIT INSERTI SCATOLA GAG NEW BABY06 PS-E	KIT PS-E INSERT FOR BOX GAG NEW BABY06
52	4301007000	ROMPIGETTO EMULSIONATORE NERO	BLACK TWO WAY PIN
53	4332096000	CABLAGGIO V230 BABY06 TWIN	V230 WIRING BABY06 TWIN
	8332011000	ASS.CONNET.3 POLI C/CAVO X SCH.VAP.	CONNEC.ASS.WITH STEAM BOARD WIRING
	8332009000	AS.CONNET.3 POLI TURBINA NEW ESPR.06	CONNECTOR FOR TURBINE NEW ESPR.06
	8332036000	ASS.CABL.SCHEDA-CALD.JP2 V230-TWIN	BOILER BOARD CABLE TWIN 230V ASSY.
	8332035000	ASS.CABLAGGIO SCALDAT.V230	CABLE UNIT SCALDAT.V230
	4332080000	CAVETTO 1 FILO SILICONE BLUE 150 MM	CABLE 1WIRE SILICON BLUE 150 MM
	4332098000	CABL.PONTE RESIST.V230	HEATING ELEMENT BRIDGE WIRING V230
	182914662	CAVETTO 1 FILO SILICONE BLUE 100 MM	1 STR. SILICONE CABLE BLUE 100MM
54	11006086	CABLAGGIO V120 BABY06 TWIN	V120/UL WIRING BABY06 TWIN
	11006093	CABLAGGIO SCHEDA VAPORE - UL	WIRING BOARD VAPOR - UL
	11006089	ASS.CONNET.3 POLI C/CAVO X TURBINA - UL	ASSEMBLY CONNECTOR FOR TURBINE - UL
	182914362	CAVETTO 1FILO SILICONE BLUE AWG18 100 MM	CABLE 1 WIRE SILICONE BLUE AWG18 100MM
	11006185	CAVETTO 1FILO SILICONE BLUE AWG20 150 MM	UL CABLE 1WIRE SILICON BLUE 150 MM
	11006091	ASS.CABL.SCHEDA-CALD.JP2 V120/UL-TWIN	BOILER BOARD CABLE TWIN 120V/UL ASSY.
	11006090	ASS.CABLAGGIO SCALDAT.V120/UL	CABLE UNIT SCALDAT. V120/UL
	11006087	CABLAGGIO PONTE RESISTENZE 120V/UL	WIRING RESISTANCES 120V/UL
55	WGA4316031000	RESIST.ADES.X SCALDATAZZE ARMONIA 230V	ADESIVE HEATING-ELEMENT 230V
	11000791	RESIST.ADES.X SCALDATAZZE ARMONIA 120V	ADESIVE HEATING-ELEMENT 120V

TAV. 2 - Ed. 01



TAV. 2 - Ed. 01

Pos.	Part N°	Descrizione particolare (ITA)	Description of Parts (ENG)
01	11008970	AS.CPU+SW NEW BABY06 TWIN V1 230V	ELECTRONIC CARD BABY TWIN V1 230V
	4332017030	AS.CPU+SW BABY06 TWIN 120V	ELECTRONIC CARD BABY TWIN 120V
02	DI7981P2.9X6.5Z	VITE AF 2,9X6,5 ZINCATA X MAT.PLAS.	2,9X6,5 SELF TAPPING SCREWPLAS
03	4332019000	SUPPORTO SCHEDE ELETTR.BABY06	ELECTRONIC BOARD SUPPORT BABY06
	11009160	SUPPORTO SCHEDE ELETTR.BABY06 UL	ELECTRONIC BOARD SUPPORT BABY06 UL
04	DI7981P3.5X9.5Z	VITE AF 3,5X9,5 ZINCATA X MAT.	SELF TAPPING GALV. SCREWPLAST
05	12000610	GRANO M 4X4 BRUNITO (DIN0914)	4X4 BURN. SCREW
06	122100300	CALAMITA X VENTOLA TURBINA	MAGNET FOR TURB. FAN
07	11004989	FERMO REGOLAZ. / CAMMAAZIONAMENTO MICRO	MICRO OPERATION CAM
08	11005010	ASSIEME RUBINETTO	COCK ASSEMBLY
09	11005746	AS.RUBINETTO C/CAMMA + MAGNETE	FAUCET WITH CAM + MAGNET ASSY.
10	4332061000	SCHEDE RUBINETTO P236/NEWBABY06	CARD TAP STEAM
11	DI7981P3.5X13Z	VITE AF 3,5X13 ZINCATA X MAT.P	SELF TAPPING GALV. SCREWPLAST
12	12000892	FASCETTA OETIKER D=9,5 16700004	OETIKER CLAMP D=9,5 16700004
13	16000703	TUBO SIL.PLATINICO RETIN.5X9,1 MATASSA	PLATINIC SILICONE TUBE 5X9,1 IN ROLL
14	4332042000	SUPPORTO RUBIN.VAPORE	SUPPORT STEAM TAP
15	4332024000	RACCORDO USCITA VAPORE	STEAM OUTPUT CONNECTOR
16	DM0041/081	OR 112 EPDM 70°SH	O-RING 112 IN EPDM 70°SH
17	DM1957	VITE M 4X5 ZINC.C/TESTA ZIGRIN.	SCREW M 4X5 GALV.W/KNURLED HEAD
18	GG0064	SQUADRETTA FISS.TERMOFUSIBILE	BRACKET FOR THERMOFUSE
19	DM1040	TERMOFUSIBILE COFFEE GAGGIA	FUSE
20	DM1168	TERMOSTATO CAFFE'T.107°OMOL.	COFFEE TEMPERATURE SWITCH
21	DM1288	TERMOSTATO VAPORE T.145° OMOL.	STEAM TEMPERATURE SWITCH
22	EF0030/A	GRUPPO CALDAIA V 120/220/240	BOILER ASSEMBLY 120/220/240 V0
23	UN5931-6X16Z	VITE M 6X16 ZINCATA	6X16 GALV. SCREW
24	4332113000	RACCORDO SCARICO ELETTROV.NERO	OUTPUT PIPE FITTING SOLENOID VALVE BLACK
25	16000440	TUBO SILICONE 5X9 70SH NERO IN MATASSA	BLACK SILICONE TUBE 5X9 70SH IN ROLL
26	NV99.077	FASCETTA STRINGIT.D=9,8/10,6 10799.41.00	TUBE-TIGHTENING CLAMP D=9.8/10.6
27	12001270	ELETTROVALVOLA 230V 50HZ - CEME OTT/TEA	TEA/BRASS SOLENOID VALVE 230V 50HZ
	12001105	ELETTROVALVOLA 120V 60HZ OTT/TEA	TEA/BRASS SOLENOID VALVE 120V 60HZ
28	DM0041/082	OR 167 EPDM 70°SH	O-RING 167 IN EPDM 70°SH
29	WGADM0041/022	GUARNIZIONE OR 2025 SILIC.ROSS	GASKET OR 2025
30	UN5931-5X12Z	VITE M 5X12 ZINCATA	5X12 GALV. SCREW
31	4332023000	RACCORDO ENTRATA	INPUT PIPE FITTING
32	UN5931-5X12I	VITE M 5X12 INOX	5X12 S.S. SCREW
33	DI7981P4.2X16Z	VITE AF 4,2X16 ZINCATA X MAT.P	SELF TAPPING GALV. SCREWPLAST
34	B0181	PESCANTE	COPPER PIPE
35	B0171	CORPO GRUPPO	GROUP BODY
36	6332052010	PIASTRA COMPON.BMC ARG.P8401C	SLAB COMPON. BMC SIL.P8401C
37	5332004000	INT.BIP.ON-OFF RFIT122C1N2X001 NERO SER.	ON-OFF BIPOL.SWITCH RFIT122C1N2X001
38	183911050	CAVO AL.SCHUKO 3X1 H05VV-F NERO L=1200MM	POWER CABLE SCHUKO BLACK L=1200
	183940650	CAVO AL.AUSTRAL.3X1 H05VV-F NERO L=1200	BLACK POWER CABLE AUSTRALIA L=1200
	183970350	CAVO ALIM.UK H05VV-F 3X1 NERO L=1200MM	BLACK POWER CABLE UK 3X1 H05VV-F L=1200
	183930650	CAVO AL.CH 3X1 H05VV-F NER.L=1200MM	POWER CABLE CH BLACK 3X1 H05VV-F L=1200
	CF0292/USA	CAVO ALIMENTAZIONE 2X16 AWG USA	USA POWER CORD
	11004247	CAVO AL.CINA RVV 3X1 C/C.NER.L=1200	BLACK POWER CABLE RVV 3X1 CHINA L=1200
39	12000280	PRESA A VASCH.C/SMUSSI EN 60320 C 13	CUP SOCKET EN 60320 C 13
	DM1563/001	SPINA AUTOBLOCCANTE BIPOL.(STS	SELF FIXING PIN V 120
40	4332055000	SQUADRETTA X RACCORDO SFERICO	SUPPORT FOR SPHERAL UNION
41	11009190	AS.VALVOLA GRIVORY 11 BAR C/OR	GRIVORY VALVE 11 BAR WITH OR ASSY.
42	DM0041/088	GUARNIZIONE OR 2025 EPDM 70°SH	O-RING GASKET 2025 EPDM
43	4332050000	INNESTO X RACCORDO SFERICO	COUPLING FOR SPHERIC UNION
44	AM0011/01	TUBO VAPORE INFERIORE CROMATO	TUBE STEAM LOWER CHROMATE
45	227431321	AS.PANNARELLO G100 INOX/INOX	PANNARELLO G100 ASSY.
46	NG01/001	GUARNIZIONE SOTTOCOPPA (8,5)	FILTER HOLDER GASKET
47	DY0036/A	ASSIEME PORTADOCETTA	SHOWER HOLDING PLATE

TAV. 2 - Ed. 01

Pos.	Part N°	Descrizione particolare (ITA)	Description of Parts (ENG)
48	UN5931-6X12I	VITE M 6X12 INOX	6X12 S.S. SCREW
49	DM0704	DOCETTA	SHOWER
50	DI7987-5X8I	VITE TSP M5X8 UNI 7688 DIN 965 INOX	SCREW TSP M5X8 UNI 7688 DIN 965 INOX
51	12000140	POMPA ULKA EP5/S GW 230V-50HZ	ULKA PUMP EP5/S GW 230V-50HZ
	12000142	POMPA ULKA EAP5/S 120V-60HZ	ULKA PUMP EAP5/S 120V-60HZ
52	WGADY0003	SUPPORTO POMPA ULKA	PUMP SUPPORT ULKA
53	147755900	PROTEZIONE X RESISTENZA BLECKMANN SMART	HEAT.ELEMENT PROTECTION BLECKMANN SMART
54	11025927	AS.VALV.SIC.11 BAR OT/TEA	TEA/BRASS SAFETY VALVE 11 BAR ASSY.
55	U046.003	VITE TCBD M4X12 ZN-B	SCREW TCBD TORX 20 M4X12 ZN-B
56	147920300	RACCORDO T D=8 ART.80.26.047 KA.461	TEE CONNECTOR D=8 ART.80.26.047 KA.461
57	147920150	RAC.INGRESSO A 90° POMPA NEU.	90° INLET PUMP CONNECTOR
58	NE15.026	LINGUETTA MASCHIO A 45° 6,3 D.5,2	MALE TONGUE 45° 6,3 D.5,2
59	289200100	AS.TERMPR.TERMICO 120°C CAV.121/121	THERMAL. PROTECT.120°C CABL.121/121
	CE0429/UL-CSA	CAVETTO UL-CSA POMPE EATON C/T	CABLE UL-CSA FOR PUMP EATON
60	4332036000	LAMIERA CALDAIA RAPID STEAM	RAPID STEAM BOILER PLATE
61	U302.003	DADO ESAGONALE M4 UNI 5588 ZN	NUT HEXAGONAL M4 UNI 5588
62	128310404	ROSETTA UNI 8842 A4 BRUNITA	WASHER UNI 8842 A4 BURNISHED
63	11004555	RESIST.BLECKMAN 30176 RULLATA 230V 1000W	HEATING-ELEMENT BLECKMAN 230V 1000W
	11004556	RESIST.BLECKMAN 30176 RULLATA 120V 1000W	HEATING-ELEMENT BLECKMAN 120V 1000W
64	NV99.099	AS.TURBINA D=1,2 932-8521/00	TURBINE D=1,2 932-8521/00 ASSY.
65	189428300	TERMOSTATO 175° INTERCONTR.161471002	THERMOSTAT 175° INTERCONTR.161471002
66	127535319	PIASTRINA FERMA TERMOFUSIBILE ACC/ZINC.	GALV/STEEL THERMAL FUSE FIXING PLATE
67	11022321	SUPP.R15 TUBO SILIC.RETINATO NER.	BLACK SUPPORT R15 FOR SILICONE TUBE
68	11007140	FOGLIO ISOL.SP=0,25 SCHEDA EL. BABY06	SHEET INSULATE SP=0.25 POWER BOARD