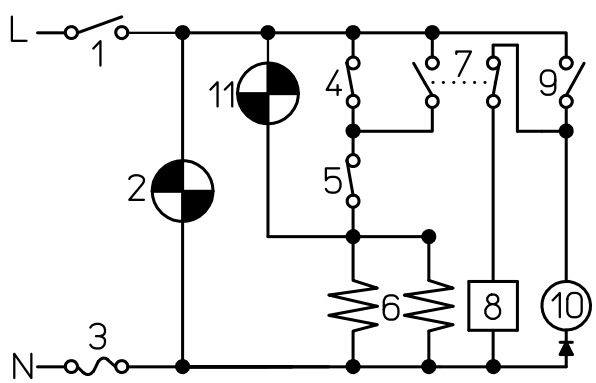


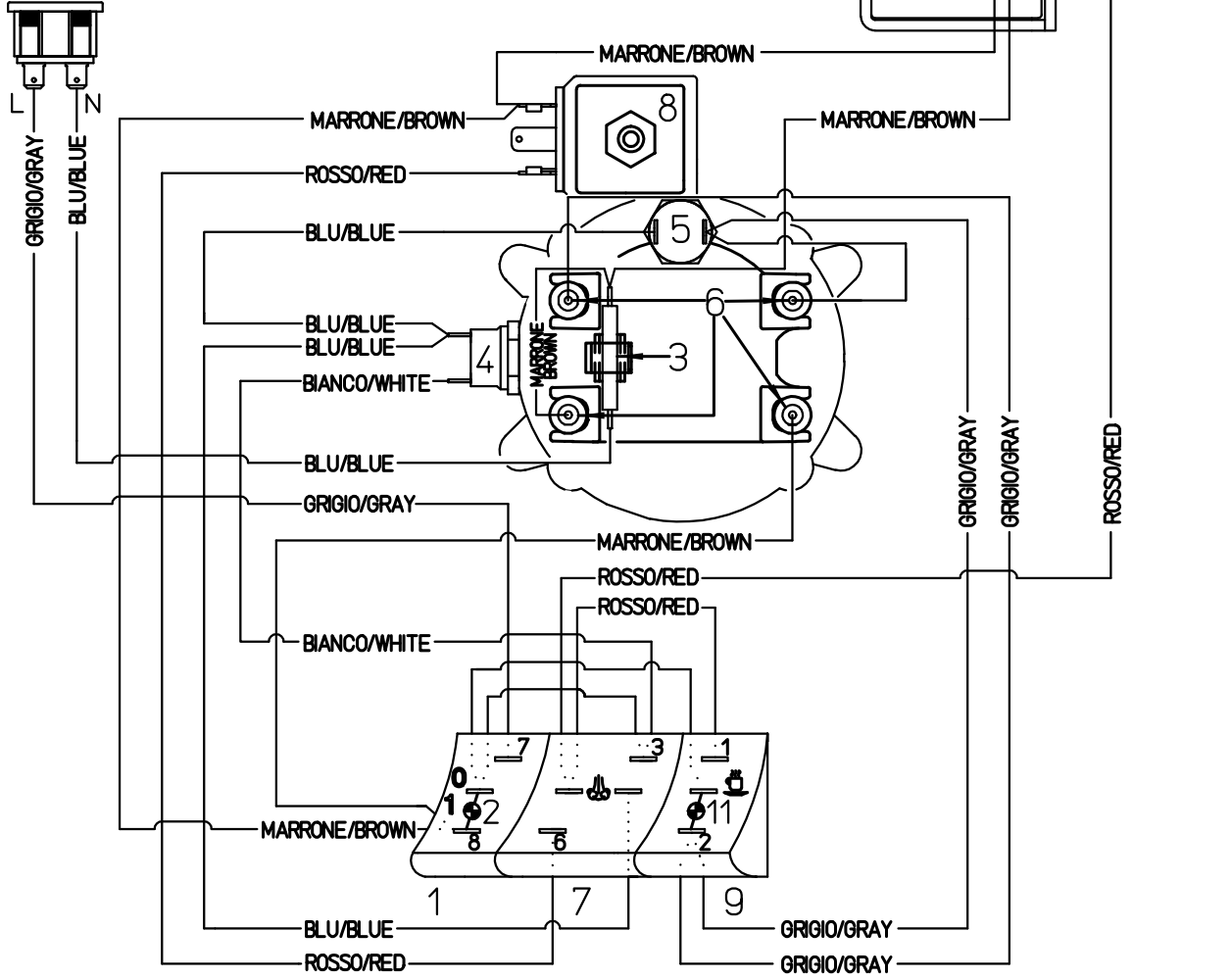
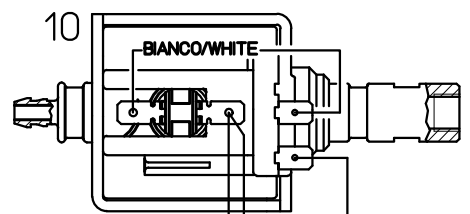
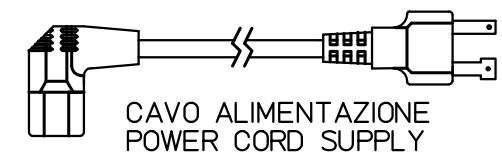
A4
UNI 936-86

VALIDO PER
PRODUZIONE

MATERIAL REV. 00



- 1 INTERRUTTORE GENERALE ON-OFF --- ON/OFF switch
- 2 SPIA MACCHINA ACCESA --- ON/OFF light
- 3 TERMOFUSIBILE --- Thermal cut off
- 4 TERMOSTATO CAFFE' --- Coffee thermostat
- 5 TERMOSTATO VAPORE --- Steam thermostat
- 6 RESISTENZA DI RISCALDAMENTO --- Heating element
- 7 DEVIATORE CAFFE' / VAPORE --- Coffee / steam switch
- 8 ELETTROVALVOLA --- Solenoid valve
- 9 INTERRUTTORE POMPA --- Coffee switch
- 10 POMPA --- Motor operated water pump
- 11 SPIA MACCHINA IN TEMPERATURA --- Pilot light



MODIFICATIONS: MODIFIED MARKED WITH:
⑦ _____ ⑩ _____
⑧ _____ ⑪ _____
⑨ _____ ⑫ _____

MODIFICATIONS: MODIFIED MARKED WITH:
④ _____ ⑤ _____ ⑥ _____
① _____ ② _____ ③ _____



DATE 22/10/09		SCALE x:x	
		DRAWN BY BASSI F.	
MATERIAL		APPROVED PILONE A.	
HEAT TREATMENT		GEN. TOLERAN.	
SURFACE FINISH		VOLUME (mm ³)	
MODEL CA GAGGIA CLASSIC 120V		MOULD CODE	
DESCRIPTION SCHEMA CABLAGGIO E ELETT. CLASSIC COFFEE 120V		N° CAVITY	
WIRING AND ELECTR. DIAGRAM GAG. CLASSIC 120V		DRAWING REVISION 00	
		DRAWING CODE / ITEM CODE 17800009	

LA PROPRIETA' DI QUESTO DISEGNO E' RISERVATA A TERMINI DI LEGGE. E' VIETATO QUINDI RIPRODURLO E RENDERLO NOTO A TERZI.
THE PROPERTY OF THIS DRAWING IS RESERVED AND SUBJECT TO LAW. DISTRIBUTION AND REPRODUCTION TO OTHER PARTIES IS PROHIBITED.