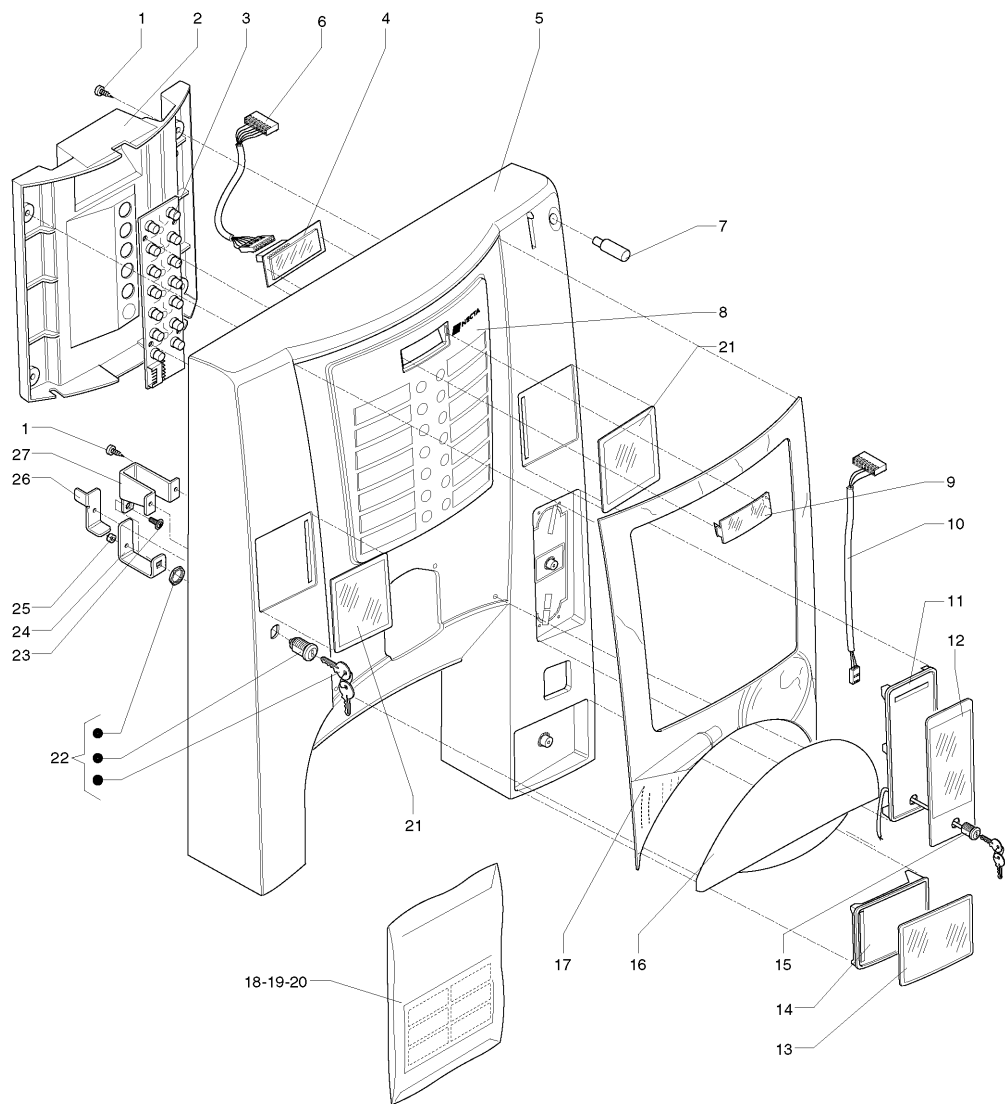
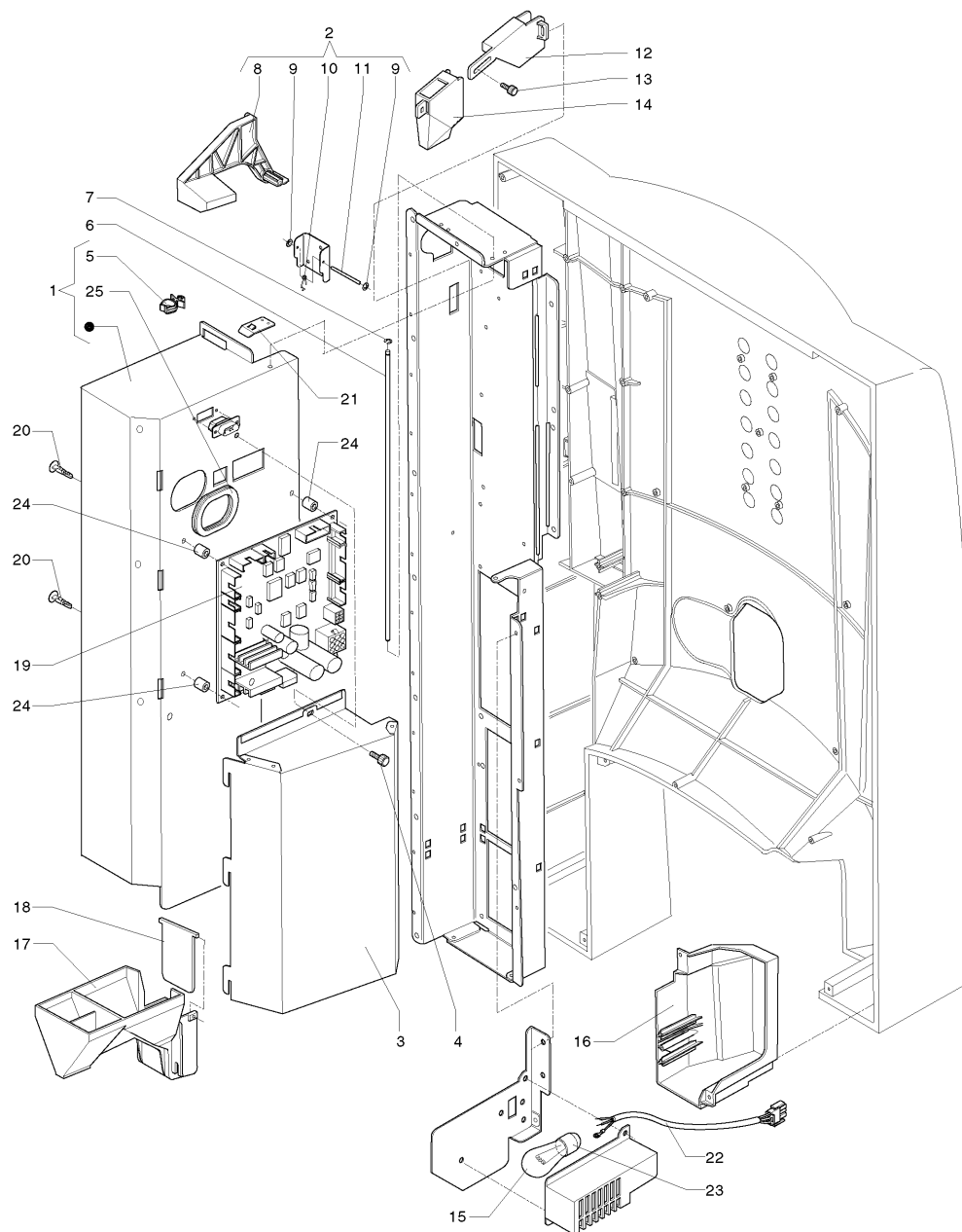


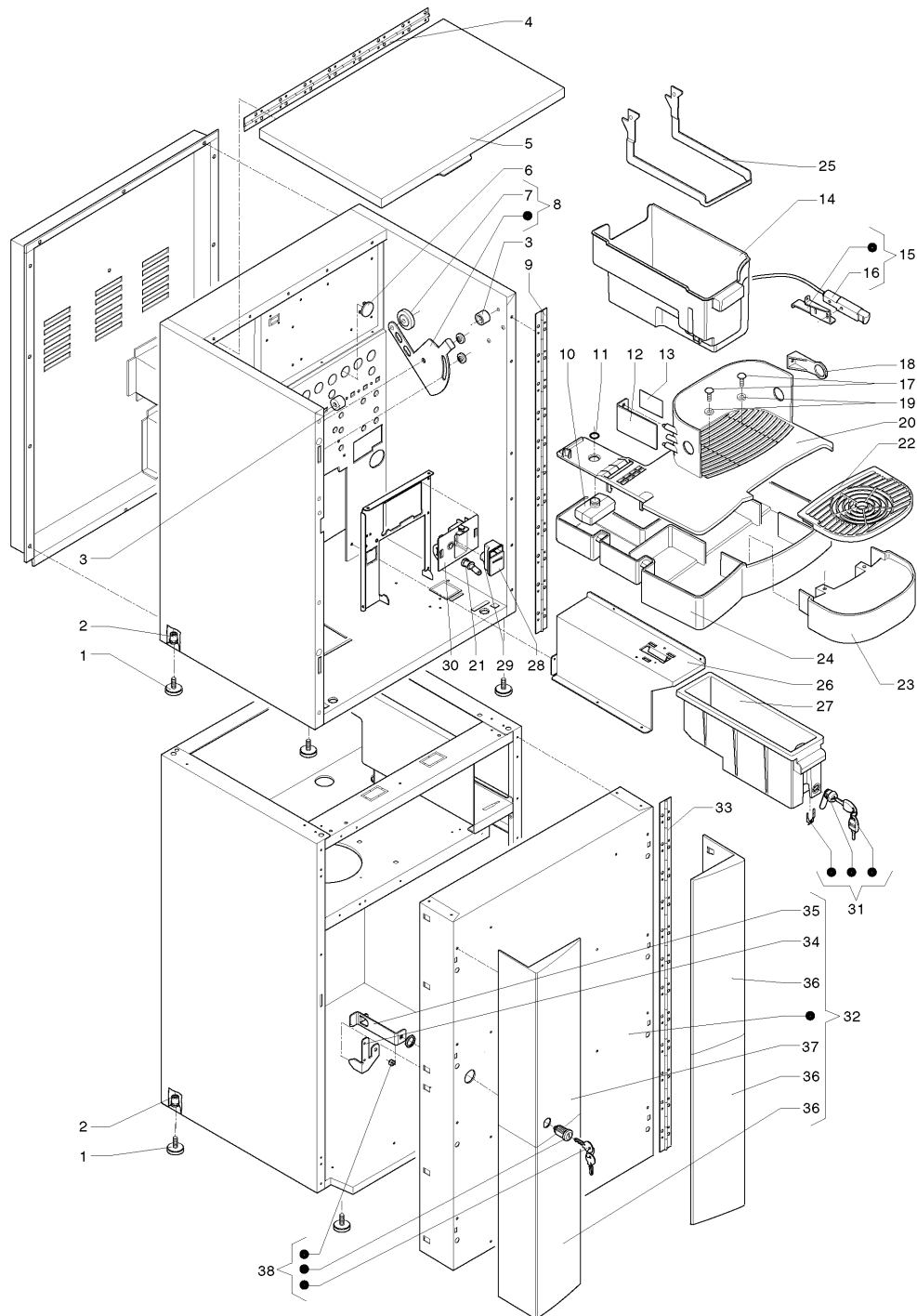
BRIO3 FRESH-BREW - UL - 120 VOLT - 60 HZ



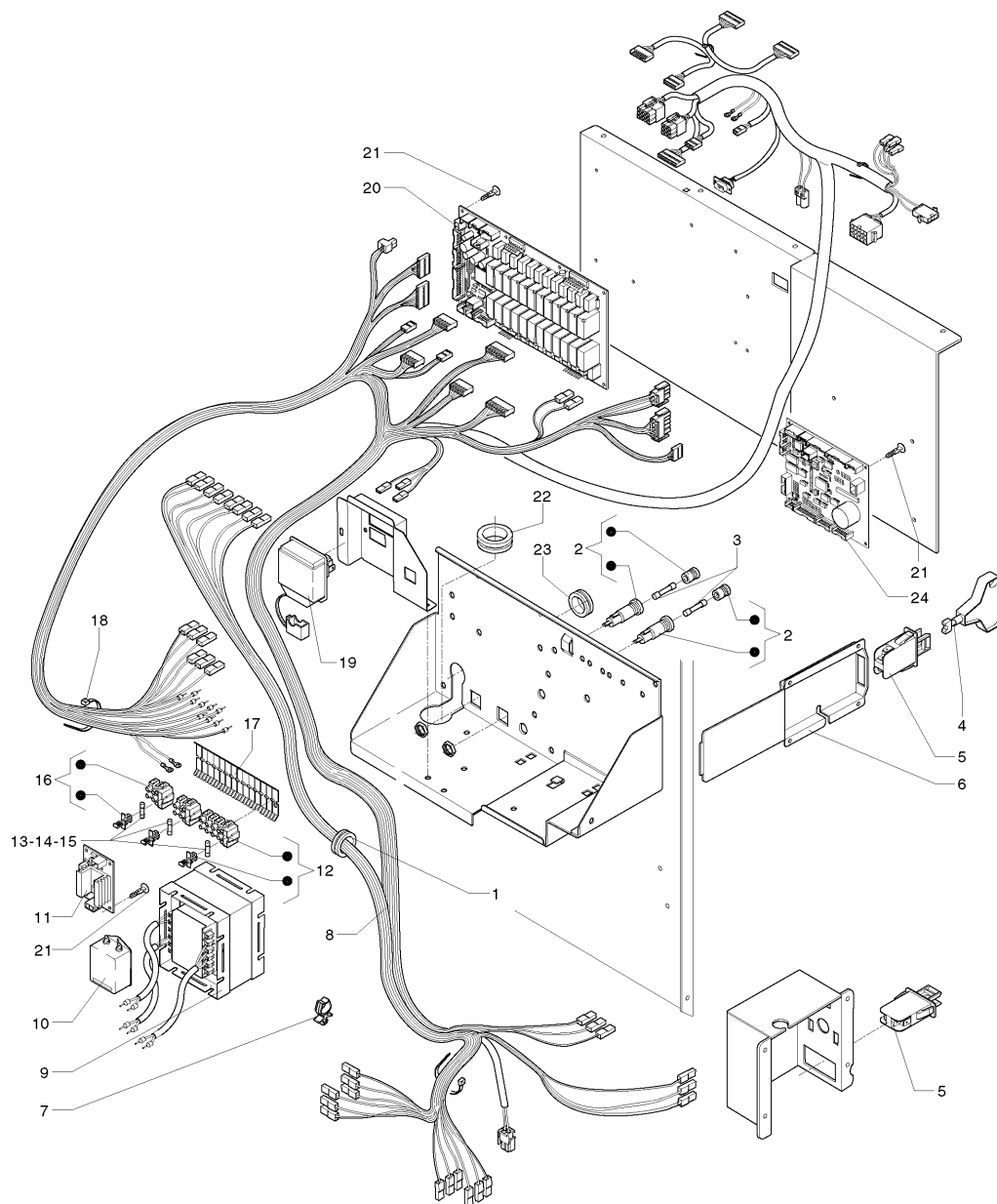
	Code	Description	Notes
1	097879	NICKELPLATED SCREW	
2	252220	PUSH-BUTTON BOARD COVER	
3	252257	SELECTION BOARD	
4	251653	DISPLAY 2X16 BLUE	
5	253245	JUG VERSION DOOR -12OZ-	
6	250961	DISPLAY WIRING	
7	0V4264	BLACK MONEY RETURN BUTTON	
8	252524	SELECTION PANEL -BLACK-	
9	252245	DISPLAY GLASS	
10	253250	FREE VEND-JUG FACILITY WIRING	
11	252517	COIN VERIFIER STOPPER -BLACK-	
12	252542	MIDDLE LABEL HOLDER-FREE V.-BLACK-	
13	252525	LOWER LABEL HOLDER -BLACK-	
14	252518	STOPPER -BLACK-	
15	099743	FREE VEND SWITCH	
16	252603	JUG VERSION COVER-BLACK-	
17	252360	F.B. PHOTOGRAPHIC PANEL-JUG-	
18	252528	INSTRUCTIONS LABEL -BLACK-	
19	250802	INSTRUCTION PLATE '-BRIO 250 USA-	
20	253246	PRODUCTS LABELS -USA-	
21	252527	UPPER LABEL HOLDER -BLACK-	
22	099905	LOCK RIELDA	
23	252501	SCREW WITH COLLAR	
24	252206	LATCH	
25	091703	SELF-BLOCKING NUT M4	
26	252208	DOOR ELEVATION	
27	252207	LATCH GUIDE	



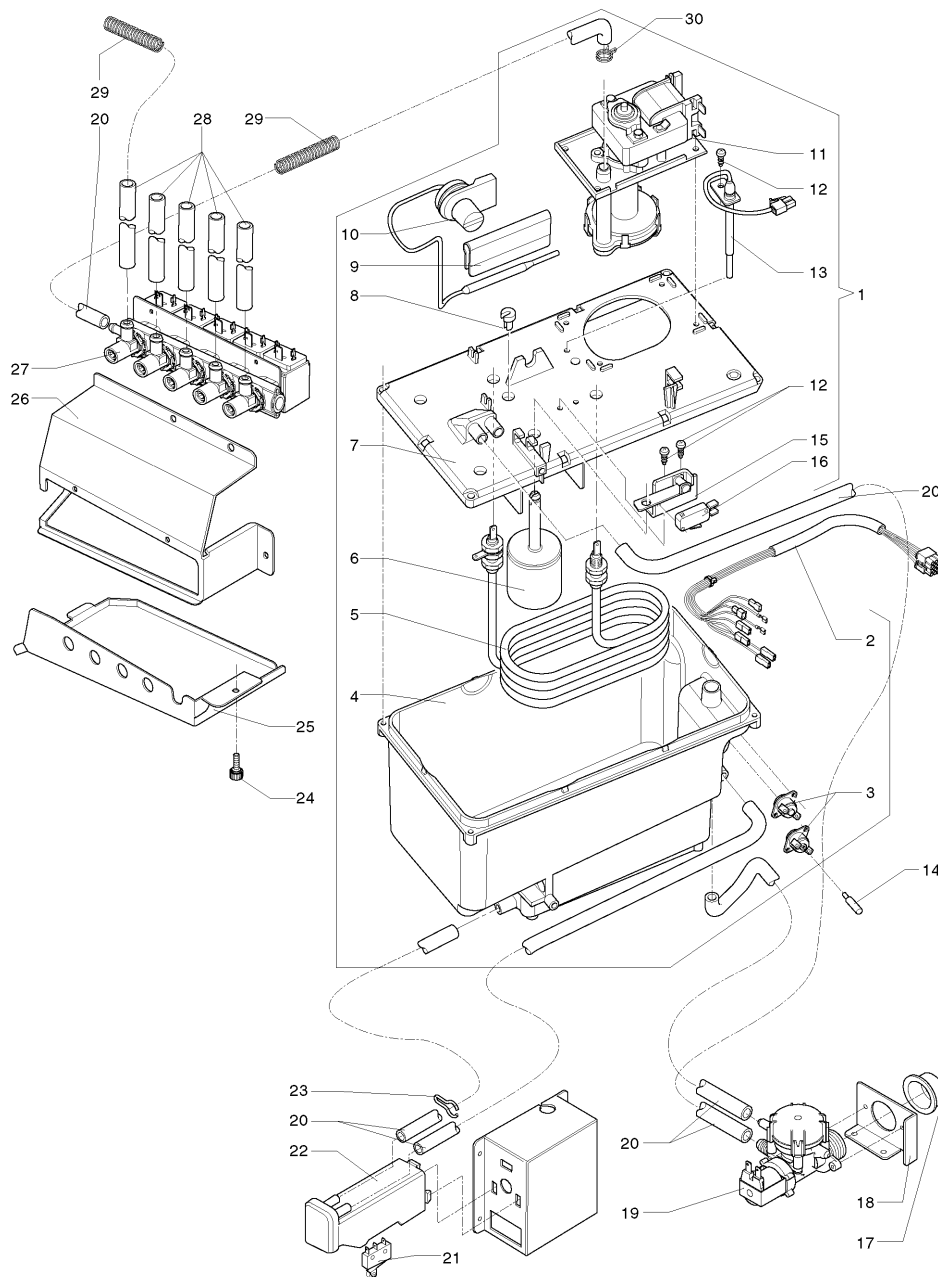
	Code	Description	Notes
1	252272	COIN MECHANISM COMPARTMENT	
2	252260	COIN RETURN ASSY.	
3	252210	BOARD-PROTECTION	
4	096977	KNURL	
5	098459	WIRE-CLIP	
6	252216	COIN-MECHANISM OPENING PIN	
7	098818	STOPPING RING D.4	
8	252235	COIN RETURN LEVER	
9	093754	BENZING COLLAR QUICKBLOCK BQ DIAM MM	
10	252212	SPRING FOR CHANGE	
11	252213	CHANGE GIVING PIN	
12	252238	FIXED COIN INTRODUCTION CHUTE	
13	093828	KNURL	
14	252239	MOVABLE COIN INTRODUCTION CHUTE	
15	251018	LAMP - UL -	
16	252723	SUPPORT -BLACK-	
17	252522	CHUTE FOR CHANGE -BLACK-	
18	099359	SHUTTER FOR CHANGE	
19	252436	16 BIT CPU BOARD 4MB	
20	097175	CARD SPACER	
21	252211	BLOCK FOR COIN MECHANISM COMPARTMENT	
22	252543	COMPARTMENT LAMP WIRING	
23	250991	LAMP-HOLDER - UL -	
24	0V1431	SPACER	
25	093916	WHIPPING OVAL	



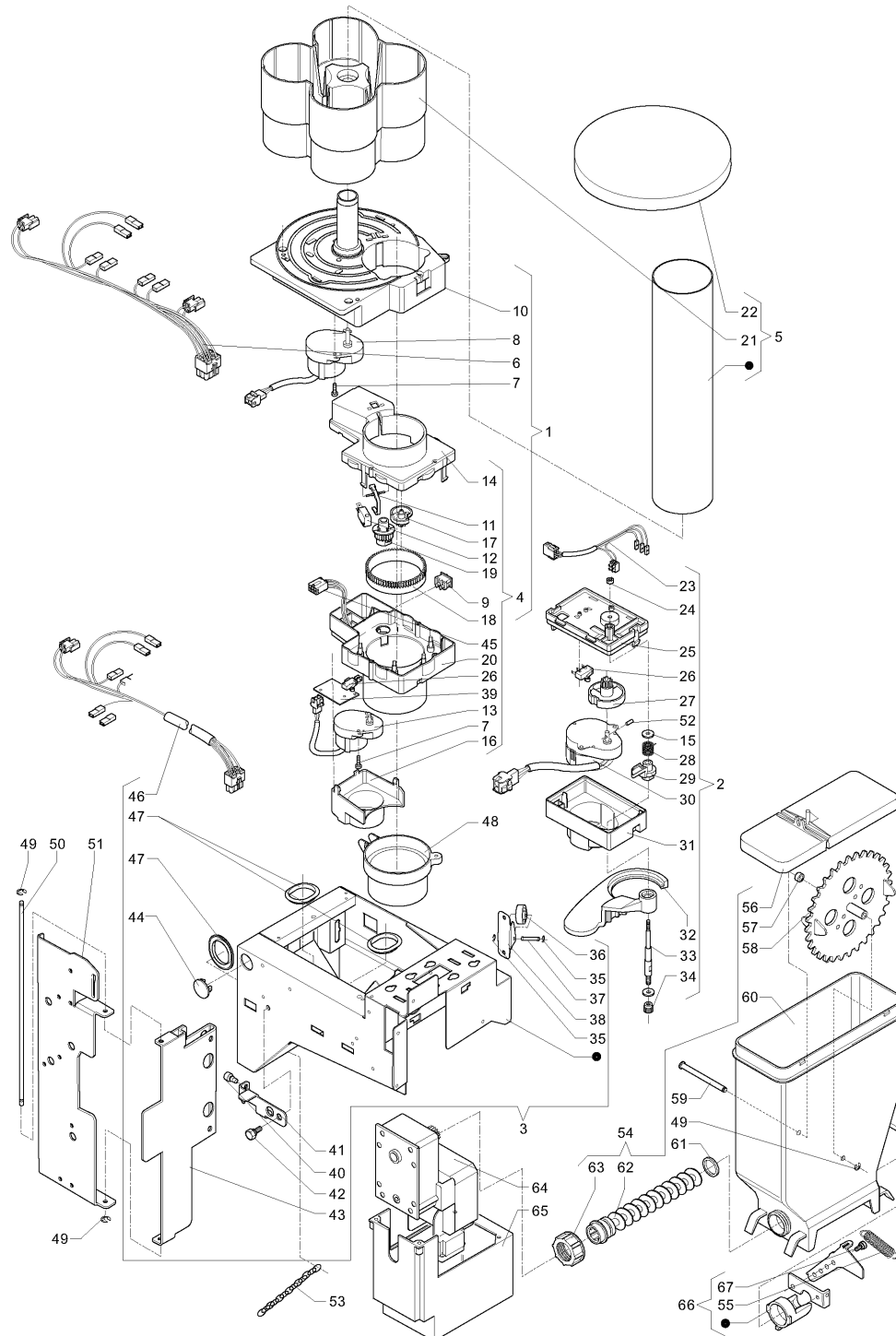
	Code	Description	Notes
1	096244	LITTLE FEET	
2	097861	THREADED CONNECTOR	
3	094657	SPACER	
4	0V0710	MACHINE TOP HINGE (BLACK)	
5	252516	MACHINE TOP -BLACK-	
6	0V4199	PLUG	
7	0V0102	ROLLER	
8	252194	TOP LEVER	
9	252531	DOOR HINGE -BLACK-	
10	252233	FLOAT	
11	095623	GASKET O-RING 119 EP851	
12	252332	CATADIOPTRIC SUPPORT	
13	0V0906	CATADIOPTRIC PLATE	
14	252334	F.B. GROUNDS TRAY	
15	252354	PHOTOCELL WITH SUPPORT	
16	0V2149	PHOTOCELL	
17	099184	CUP POSITIONING PIN	
18	252339	PHOTOCELL GLASS COVER	
19	096863	PIVOT WASHER	
20	252601	DISPENSING OPENING JUG+HOLE-BLACK	
21	252118	FRESH BREW WATER NOZZLE	
22	252600	JUG DISPENSING OPENING GRID-BLACK-	
23	252599	JUG LIQUIDS TRAY-BALCK-	
24	252598	JUG PREARRANG.LIQUIDS TRAY-BLACK-	
25	252331	GROUNDS AGITATOR	
26	252192	COIN-BOX SUPPORT	
27	0V3437	COIN BOX	
28	298002	POWDER TRAP FRONT PART	
29	298001	POWDER TRAP REAR PART	
30	252337	SIGMA BREWER MOLDING	
31	252189	LOCK 'MERONI'	
32	252697	DOOR -BLACK-	
33	252696	INOX HINGE CABINET-BLACK-	
34	252183	LATCH GUIDE	
35	252182	LATCH	
36	252694	CABINET COVER - BLACK -	
37	252695	CABINET COVER WITH HOLE-BLACK-	
38	099905	LOCK RIELDA	



	Code	Description	Notes
1	090021	WHIPPING DIAM 10.5 MM	
2	251863	FUSE HOLDER	
3	095636	FUSE 15 A	
4	0V1654	SWITCH KEY	
5	097796	SWITCH	
6	252328	FB-IN MICROSWITCH PROTECTION	
7	098166	WIRE-FIXING	
8	253249	F.B. MAIN WIRING -USA-	
9	253247	TRANSFORMER G49/24-24 120V	
10	0V0796	ELECTRICAL NET FILTER	
11	0V2143	BOILER CONTROL BOARD	
12	253185	5-POLE TERMINAL BOARD	
13	250225	FUSE T 1.6 AMP 5X20	
14	097259	FUSE 5X20 4A DELAYED ACTION	
15	096923	FUSE 5X20 1 AMP DELAYED ACTION	
16	253184	3P TERMINAL BOARD	
17	097242	SUB-TERMINAL BOARD	
18	090148	CLIP	
19	098796	TERMINAL BOARD	
20	252437	16 BIT CONTROL BOARD 4MB	
21	252237	SPACER	
22	098600	CHOCK	
23	090020	WHIPPING MM 16	
24	251843	F.B. CONTROL BOARD	

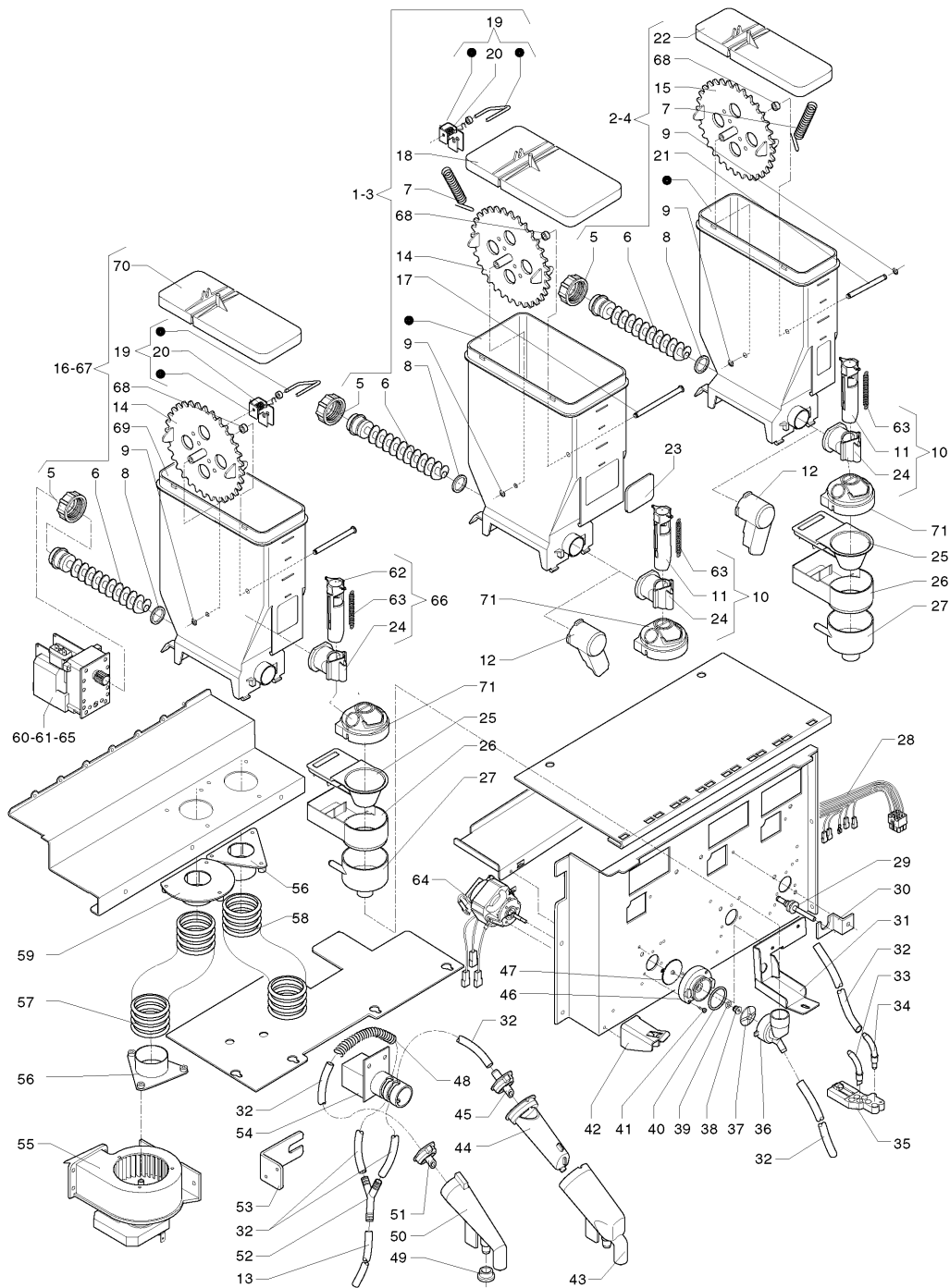


	Code	Description	Notes
1	253261	120V 60HZ INSTANT BOILER -USA-	
2	252484	F.B. BOILER BRACKET WIRING-USA	
3	251890	ANTI-BOIL THERMOSTAT	
4	251803	BOILER TANK	
5	252481	1100W 120V-60HZ HEATING ELEMENT	
6	251810	FLOAT	
7	251804	BOILER COVER	
8	099844	GASKET	
9	251824	THERMOSTAT BULB CARRIER	
10	252486	BULB THERMOSTAT -UL-	
11	252487	120V 60HZ CENTRIFUGAL PUMP-UL-	
12	987612	EJOT-PT-SCREW 4X12	
13	251892	PROBE	
14	0V2074	THERMOSTAT ACTUATOR	
15	252579	MICRO-SWITCH CARRIER PLATE	
16	251889	SAIA MICRO-SWITCH	
17	099815	STOPPER	
18	099436	ELECTROVALVE SUPPORT	
19	253819	WATER INLET ELECTROVALVE 110V + WIRING	
20	097512	SILICONE HOSE 6X12 BROWN	
21	0V1930	MICROSWITCH 'UL'	
22	0V1350	MICROSWITCH SUPPORT	
23	092703	TUBE CLAMP	
24	096977	KNURL	
25	252350	ELECTROVALVES BOX	
26	252330	5 ELECTROVALVES-SUPPORT	
27	253252	5-ELECTROVALVE UNIT 120V	
28	097511	SILICONE HOSE 6X9 BROWN	
29	252025	PIPE GUIDE SPIRAL	
30	095515	HOSE CLIP DIAM 14	



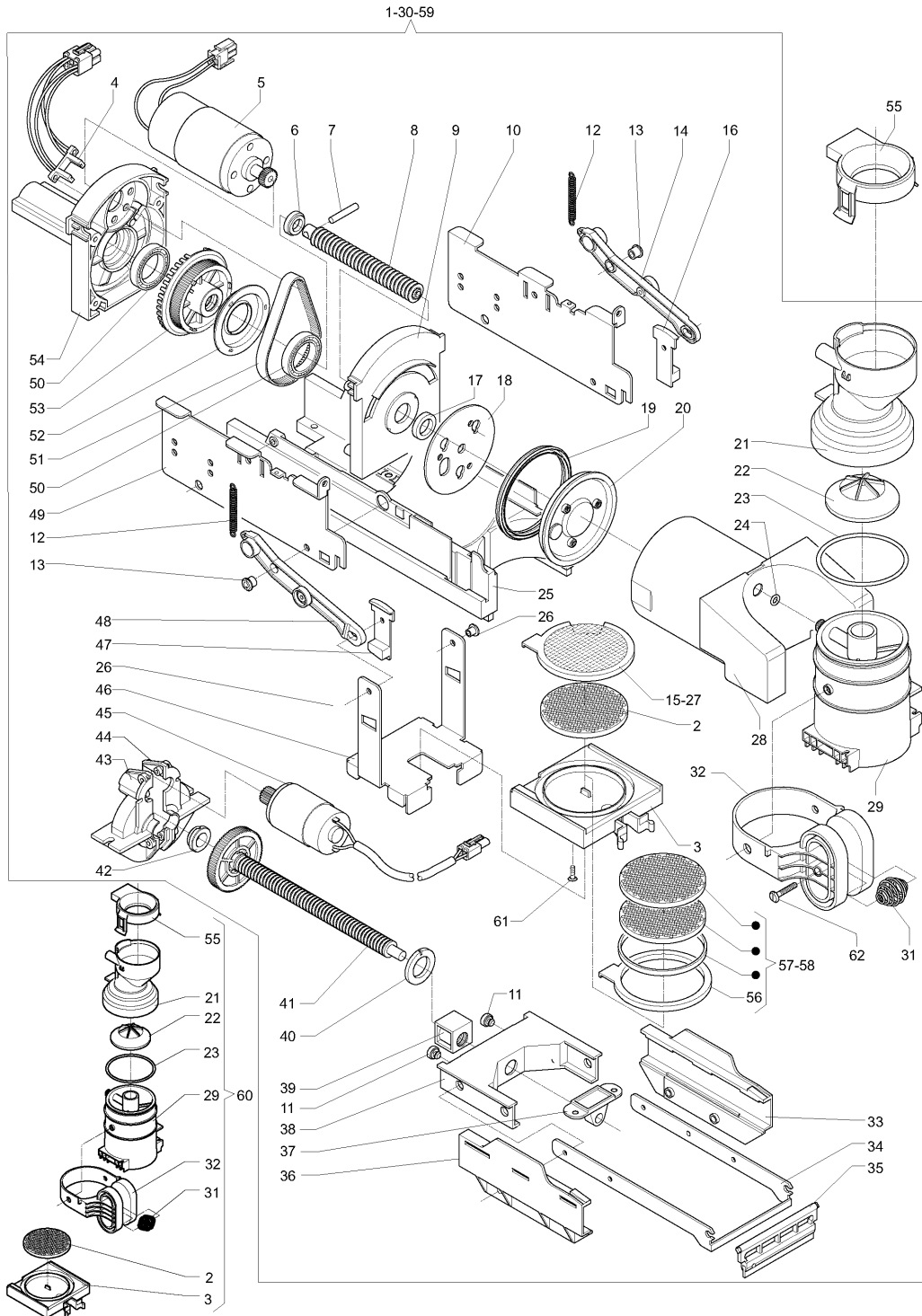
	Code	Description	Notes
1	253253	CUPS DISTRIBUTOR -12OZ-	
2	253255	CUP TRANSLATOR 80/81 -UL-	
3	253260	F.B. CUP STATION BRACKET -USA-	
4	252553	CUP RELEASING 80/81 -120V-	
5	253254	CUPS-CONTAINER-12OZ-	
6	253248	CUP DISPENSER WIRING -12OZ-	
7	987628	EJOT-PT-SCREW 30X8	
8	250229	1 RP/1.5M 120V REDUCTION GEARMOTOR	
9	097807	BUTTON	
10	252552	CUP BASE -12 OZ-	
11	0V2548	LEVER FOR MICROSWITCH	
12	092439	MICRO TYPE 'CHERRY'	
13	0V3031	120V 3 RPM REDUCTION GEARMOTOR	
14	252555	UPPER SHELL -12 OZ-	
15	096863	PIVOT WASHER	
16	252556	MOTOR COVER	
17	252557	SCROLL DIAM.80/81	
18	252559	TOOTHED RING -12 OZ-	
19	252558	PINION	
20	252554	LOWER SHELL -12 OZ-	
21	252551	CONTAINER BASE -12 OZ-	
22	0V3658	CUP CONTAINER COVER	
23	252738	CUP TRANSLATOR WIRING-USA-	
24	986614	NUT FLANGED	
25	252230	TRANSLATOR BASE	
26	096355	MICRO SWITCH -UL -	
27	252228	CAM	
28	0V2543	LEVER SPRING	
29	0V2544	ARM	
30	252743	115V-60HZ TRANSLATOR MOTOR	
31	252229	MOTOR COVER	
32	252699	OSCILLATING ARM 80-81	
33	252218	OSCILLATING ARM PIN	
34	252656	KNURL M5	
35	091737	CIRCLIP DIN 6799	
36	252234	WHEEL	
37	252214	PIN	
38	252205	WHEEL SUPPORT	
39	090681	INSULATING DISK	
40	092738	WEDGE BUMPER	
41	252204	BRACKET LOCK-OUT LEVER	
42	090615	COLLAR SCREW	
43	252196	DOUBLE HINGE SUPPORT	
44	0V1636	PLUG D.25	
45	252560	CUP RELEASING WIRING	
46	252739	CUP STATION BRACKET WIRING-USA	

	Code	Description	Notes
47	093916	WHIPPING OVAL	
48	252236	CUPS COLLAR	
49	091959	BENZING COLLAR DIAM MM4	
50	252215	BRACKET PIN	
51	252199	BRACKET HINGE SUPPORT	
52	096904	ELASTIC PLUG 1.5X8	
53	0V0882	DOOR STOP	
54	252581	LONG AUGER CONTAINER COMPLET	
55	093978	SPRING FOR ACTUATOR	
56	0V2410	LID FOR CONTAINER	
57	098812	SPACER	
58	095936	WHEEL	
59	0V1962	PIN FOR WHEEL	
60	0V2277	CONTAINER CASING	
61	095829	GASKET O-RING	
62	098608	LONG SCROLL	
63	095849	CONTAINER RING NUT	
64	250230	48 RPM 120V REDUCTION GEARMOTOR	
65	251643	CONTAINER SHELF	
66	0V4274	SUGAR CONVEYOR ASSY.	
67	987612	EJOT-PT-SCREW 4X12	



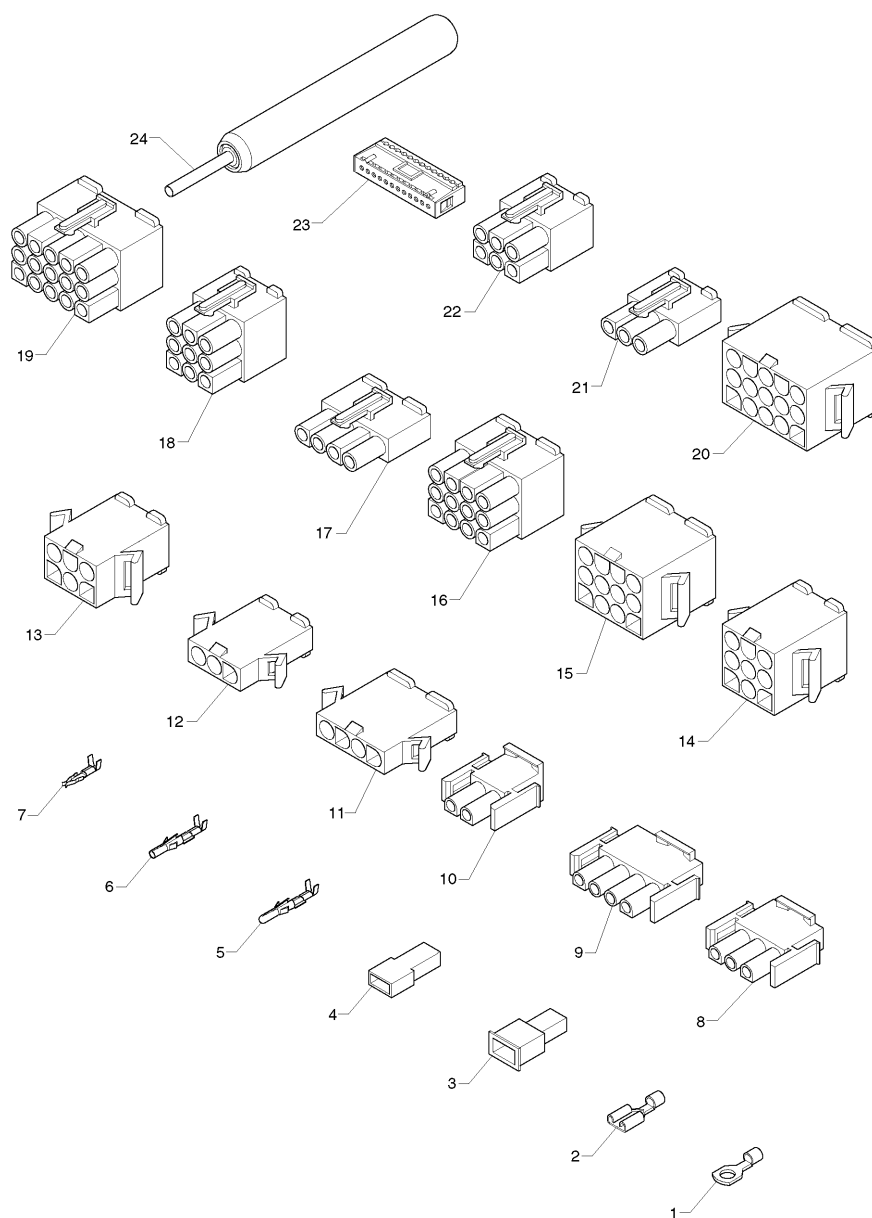
	Code	Description	Notes
1	253256	3 LITRE CANISTER + SPRING	
2	253257	2 LITRE CANISTER + SPRING	
3	252352	3 LITRE CANISTER+BEATER	
4	252265	2 LITRE CANISTER COMPLETE	
5	095849	CONTAINER RING NUT	
6	098609	SCROLL	
7	0V0165	SPRING	
8	095829	GASKET O-RING	
9	091959	BENZING COLLAR DIAM MM4	
10	252687	STRAIGHT PIPETTE ASSY.	
11	252368	STRAIGHT PIPETTE	
12	253259	F.B. RIGHT-LEFT PIPETTE	
13	097510	SILICONE HOSE 5X9 BROWN	
14	095936	WHEEL	
15	252774	2L CANISTER TOOTHED WHEEL	
16	099857	CONTAINER COMPLET WITH BEATER	
17	0V1962	PIN FOR WHEEL	
18	252275	3 LITRE CANISTER COVER	
19	099494	CANISTER-BEATER	
20	099442	SPRING	
21	253369	WHEEL PIN	
22	252276	2 LITRE CANISTER COVER	
23	097502	NAMEPLATE GROUP CONTAINER INSTANT P	
24	252366	CONTAINER OPENING	
25	0V1534	DRAWER COVER	
26	0V1537	SUCTION DRAWER	
27	0V1535	WATER FUNNEL	
28	252740	MIXER BRACKET WIRING-USA-	
29	099329	FUNNEL NOZZLE D. 3.4	
30	0V1885	NOZZLE SUPPORT	
31	252329	IN-F.B. SPOUT SUPPORT	
32	097511	SILICONE HOSE 6X9 BROWN	
33	097953	POINTED NOZZLE	
34	097922	NOZZLE	
35	098067	SUPPORT FOR INSTANT NOZZLES	
36	097912	CONVEYOR FOR MIXER	
37	097916	MIXER VENTILATOR	
38	097917	BUSH SEAL	
39	0V0775	O-RING 106	
40	0V0776	O-RING 3125	
41	099773	SCREW	
42	253305	BRACKET CLOSING SUPPORT	
43	251805	F.B. END NOZZLE	
44	251806	F.B. DOSING NOZZLE	
45	251815	F.B. NOZZLE CAP	
46	097911	FLANGE FOR MIXER	

	Code	Description	Notes
47	099889	DISK	
48	252025	PIPE GUIDE SPIRAL	
49	0V2127	FAIRLEAD	
50	099910	DISTRIBUTOR NOZZLE	
51	099911	STOPPER FOR NOZZLE	
52	095513	UNION Y-SHAPE	
53	252333	F.B. NOZZLE BRACKET	
54	251906	DIAM. 6X9 TUBE GRIPPER	
55	253251	120V ELECTRIC FAN	
56	252336	VENTILATOR PIPE CONNECTION	
57	096459	HOSE DIAM 32	
58	251688	PIPE D.20 (A METER)	
59	252338	VENTILATOR PIPE CONNECTION CUT	
60	250226	48 RPM 120V REDUCTION GEARMOTOR	
61	250227	64 RPM 120V REDUCTION GEARMOTOR	
62	252367	BENT PIPETTE	
63	252540	SPRING	
64	0V0450	MOTORMIXER 110V	
65	251893	COFFE' MOT.DOSE-METER 437REV/ MIN. 24VDC	
66	252546	COMPLETE BENT OPENING	
67	099334	POWDERS CANISTER	
68	098812	SPACER	
69	0V2277	CONTAINER CASING	
70	099466	LID FOR CONTAINER	
71	252369	MIXER COVER	



	Code	Description	Notes
1	298070	SIGMA BREWER GROUP FOR COFFEE	
2	298086	FILTER MAZE SUPPORT	
3	298036	FILTER-SUPPORT	
4	298016	PHOTOCELL	
5	298014	MOTOR SPINDLE ASSEMBLY	
6	298038	SPINDLE THRUST RING	
7	298017	ROTATION BLOCKING PIN	
8	298009	SPINDLE 16X4 12 GRAD	
9	298008	BEARING NUT CYLINDER SIDE	
10	298006	HOUSING BREWER RIGHT	
11	298060	BUMPER STOP	
12	298052	LEVER SPRING	
13	298054	LEVER NUT M5	
14	298031	RIGHT LEVER	
15	298077	FILTER WITH SEAL FOR TEA	
16	298034	CLOSING NOTCH RIGHT	
17	298064	BUMPER SPINDLE	
18	298011	PISTON PLATE	
19	298046	PISTON GASKET	
20	298010	PISTON	
21	298042	MIXER CONVEYOR	
22	298044	UPPER VALVE ASSEMBLY	
23	298050	O-RING FOR BREWING CHAMBER	
24	298051	PRESS GASKET	
25	298004	BASE PLATE WITH GUIDES	
26	298053	LEVER NUT M4	
27	298065	FILTER WITH SEAL FOR COFFEE	
28	298012	PRESS CYLINDER	
29	298040	BREWING CHAMBER	
30	298078	SIGMA BREWER GROUP FOR TEA	
31	298043	HANDLE SPRING	
32	298041	GRIP-BREW CYLINDER	
33	298024	RIGHT SLEDGE	
34	298028	SCRAPER ARM	
35	298029	SCRAPER ASSEMBLY	
36	298023	LEFT SLEDGE	
37	298027	BEARING SPINDLE END	
38	298025	CENTRAL SLEDGE	
39	298026	SLEDGE NUT	
40	298055	THRUST RING SLEDGE	
41	298022	SPINDLE SLEDGE GEAR ASSEMBLY	
42	298020	BEARING GEAR SLEDGE	
43	298019	HOUSING SLEDGE DRIVE LEFT	
44	298018	HOUSING SLEDGE DRIVE RIGHT	
45	298021	MOTOR SCRAPER ASSEMBLY	
46	298035	LEVER FILTER PLATE	

	Code	Description	Notes
47	298033	CLOSING NOTCH LEFT	
48	298030	LEFT LEVER	
49	298005	HOUSING BREWER LEFT	
50	298013	BALL BEARING	
51	298063	GEAR BELT TYPE POWERGRIP	
52	298045	MAINGEAR BELT GUIDE	
53	298015	GEAR 16X4	
54	298007	MOTOR SUPPORT	
55	298071	TOP COVER	
56	298069	METAL FILTER SEAL	
57	298067	METAL FILTER COFFEE ASSEMBLY	
58	298068	METAL FILTER TEA ASSEMBLY	
59	298089	SIGMA BREWER FOR COFFEE-METAL FILTER-	
60	298090	HYGIENE KIT FOR SIGMA BREWER	
61	298119	SCREW	
62	298120	SCREW M4X25	



	Code	Description	Notes
1	090957	EYELET TERMINAL	
2	090959	FASTON W/O TONGUE	
3	091192	FASTON COVER	
4	090247	FEMALE FASTON COVER	
5	095955	TERMINAL MALE	
6	096136	TERMINAL FEMALE	
7	094405	TERMINAL FEMALE 2.5	
8	094954	FEMALE HOLDER CONNECTOR 3-WAYS	
9	098062	4-WAY CONNECTOR MATE-N-LOK AMP	
10	094955	FEMALE HOLDER CONNECTOR 2-WAYS	
11	0V0809	4-PIN CONNECTOR/P MOLEX 3191	
12	0V0808	3-PIN CONNECTOR/P MOLEX 3191	
13	0V0810	6-PIN CONNECTOR/P MOLEX 3191	
14	0V0811	9-PIN CONNECTOR/P MOLEX 3191	
15	0V0812	12-PIN CONNECTOR/P MOLEX 3191	
16	0V0818	12-PIN CONNECTOR/P MOLEX 3191	
17	0V0815	4-PIN CONNECTOR/P MOLEX 3191	
18	0V0817	9-PIN CONNECTOR/P MOLEX 3191	
19	0V0819	15-PIN CONNECTOR/P MOLEX 3191	
20	0V0813	15-PIN CONNECTOR/P MOLEX 3191	
21	0V0814	3-PIN CONNECTOR/P MOLEX 3191	
22	0V0816	6-PIN CONNECTOR/P MOLEX 3191	
23	094961	FEMALE HOLDER CONNECTOR P.I. 12-W	
24	0V0820	MOLEX CONTACT PULLER	