

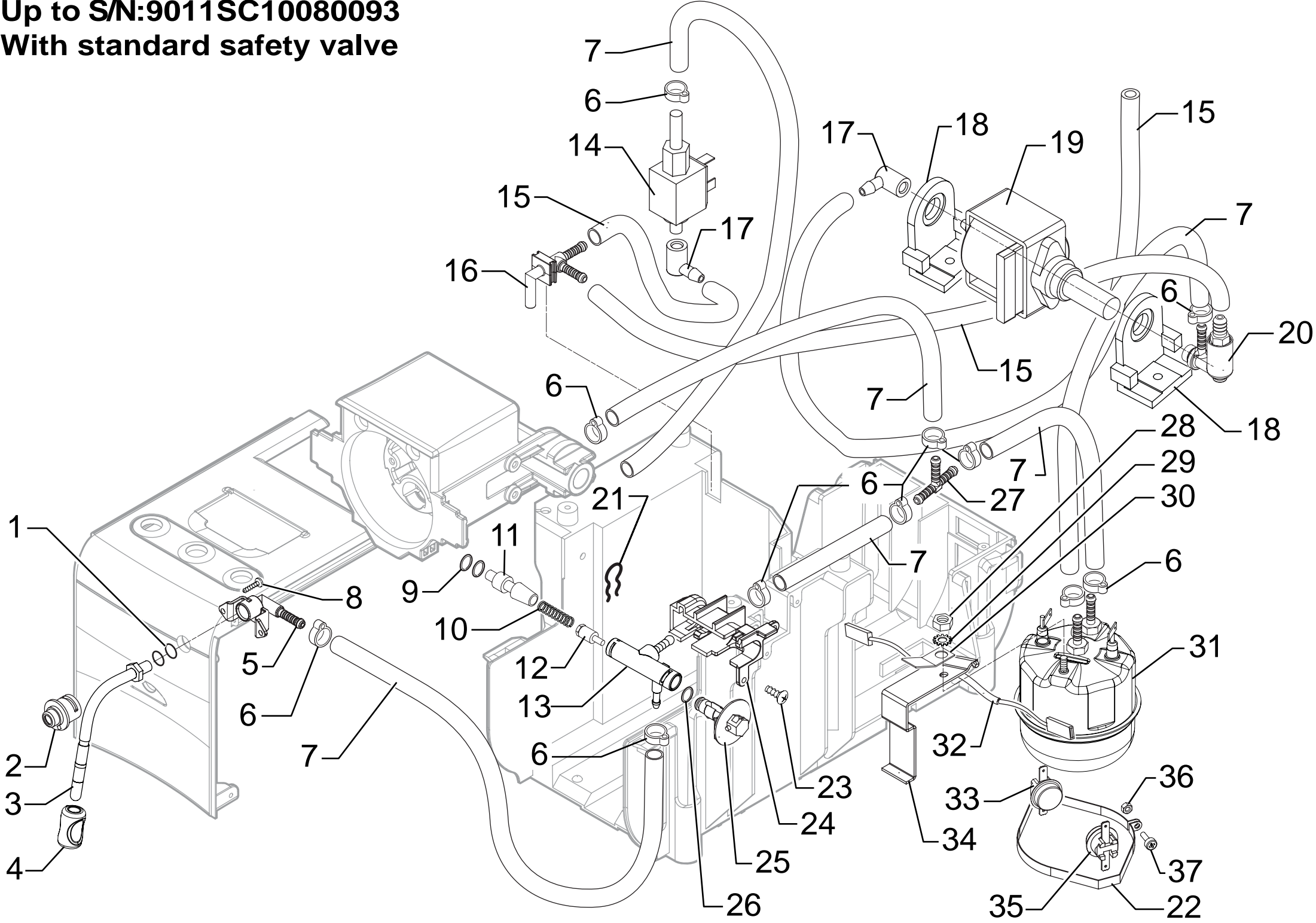
E71081

Pos	Article-Nr.	Description	Pos	Article-Nr.	Description
1	11012670	GREEN LEFT SIDE CASING S/SCR.EXT	32	11007922	NAT/TRANSP.WATER CONTAINER P604
1	11012671	ORANGE LEFT SIDE CASING S/SCR.EX	33	147622800	TRANSPARENT SILICONE FOOT
1	11012672	FUCHSIA LEFT SIDE CASING S/SC.EX	34	11008006	SILVER WATER-STEAM KNOB S/SCR.P6
1	11012673	BLUE LEFT SIDE CASING S/SCR.EXTR	35	15001916	INSTRUCT.MANUAL 11L.SAE LV AMM V
1	11011305	WHITE LEFT SIDE CASING S/SCR.EXT	35	15001917	INSTRUCT.MANUAL EO SAE LV AMM V2
1	11008346	BLACK LEFT SIDE CASING S/SCR.EXT	35	15002628	
1	11021708	RED LEFT SIDE CASING S/SCR.EXTRA	35	15002629	
2	11007438	STEEL PIN UPPER COVER CASING DOO	36	13001298	
3	129912104	SCREW TCBR TORX 20 4X10 PLAST.ZN	36	13001094	CARDBOARD BOX UPPER INSERT V2 P6
4	11007931	SILVER UPPER COVER CASING DOOR P	37	13000529	CARDBOARD BOX LATERAL INSERT P60
5	11008047	SILVER UPPER COVER CASING P604/M	38	13001294	
5	11021754	SILV.UPPER COVER CASING P604/M S	38	13001295	
5	11012720	SILV.UPPER COVER CASING P604/M S			
5	11012721	SILV.UPPER COVER CASING P604/M S			
5	11012722	SILV.UPPER COVER CASING P604/M S			
5	11012723	SILV.UPPER COVER CASING P604/M S			
6	11007489	CHROM.COFFEE DISPENSER COVER P60			
7	U110.010	SCREW AUT.TCB 2,9X6,5 DIN 7981 F			
8	11007461	BLACK COFFEE DISPENSER SUPPORT P			
9	11007927	SILVER GRATE FOR DRIP TRAY P604			
9	11024891				
10	11024888				
10	11007928	SILVER DRIP TRAY P604			
11	11007463	BLACK COFFEE OUTLET CONVEYOR P60			
12	11007929	SILVER DUMP BOX P604			
13	20006975	KIT SPARES 230V BLK/SIL.BUTT.SUP			
14	11007454	ALLUM.HANDLE FOR MECH.P604			
15	UN5931-5X25Z	ZN-B TCEI SCREW M5X25 UNI 5931			
16	11007488	CHROMED CAP FOR HANDLE MECH.P604			
17	11007933	SILVER CASING BOTTOM P604			
17	11024884				
18	0701.031.150	GREY WATER VALVE GACO DIM 14 SEA			
19	145842900	NBR WATER CONT.VALVE GACO DIM14			
20	11024908				
20	11007932	SILVER REAR CASING COVER P604			
21	129912521	SCREW TCBR TORX 10 3,5X14 PLAST.			
22	NE03.038	BIPOLAR SWITCH FUSIT C1250AR			
23	12000280	CUP SOCKET EN 60320 C 13			
24	11007431	BLACK RIGHT SIDE CASING P604/E-M			
24	11011300	WHITE RIGHT SIDE CASING P604/E-M			
24	11012606	GREEN RIGHT SIDE CASING P604/E-M			
24	11012661	ORANGE RIGHT SIDE CASING P604/E-			
24	11012662	FUCHSIA RIGHT SIDE CASING P604/E			
24	11012665	BLUE RIGHT SIDE CASING P604/E-M			
25	11021907	BLACK POWER CABLE SOUTHAFRICA L=			
25	183911050	BLACK POWER CABLE SCHUKO L=1200			
25	183940650	BLACK POWER CABLE AUSTRALIA L=12			
25	183970350	BLK POWER CABLE 3X1 H05VV-F UK L			
26	11007426	TRANSP/NAT.WATER CONTAINER LID P			
27	224640200	WHITE WATER CONTAINER EXT.FILTER			
28	140328461	EPDM OR METRIC 0190-10			

E71081

Pos	Article-Nr.	Description	Pos	Article-Nr.	Description
29	140324362	OR METRIC 0060-30 IN SILICONE			
30	126764718	SS WATER CONTAINER VALVE SPRING			
31	147660562	GREY PISTON FOR WATER CONTAINER			

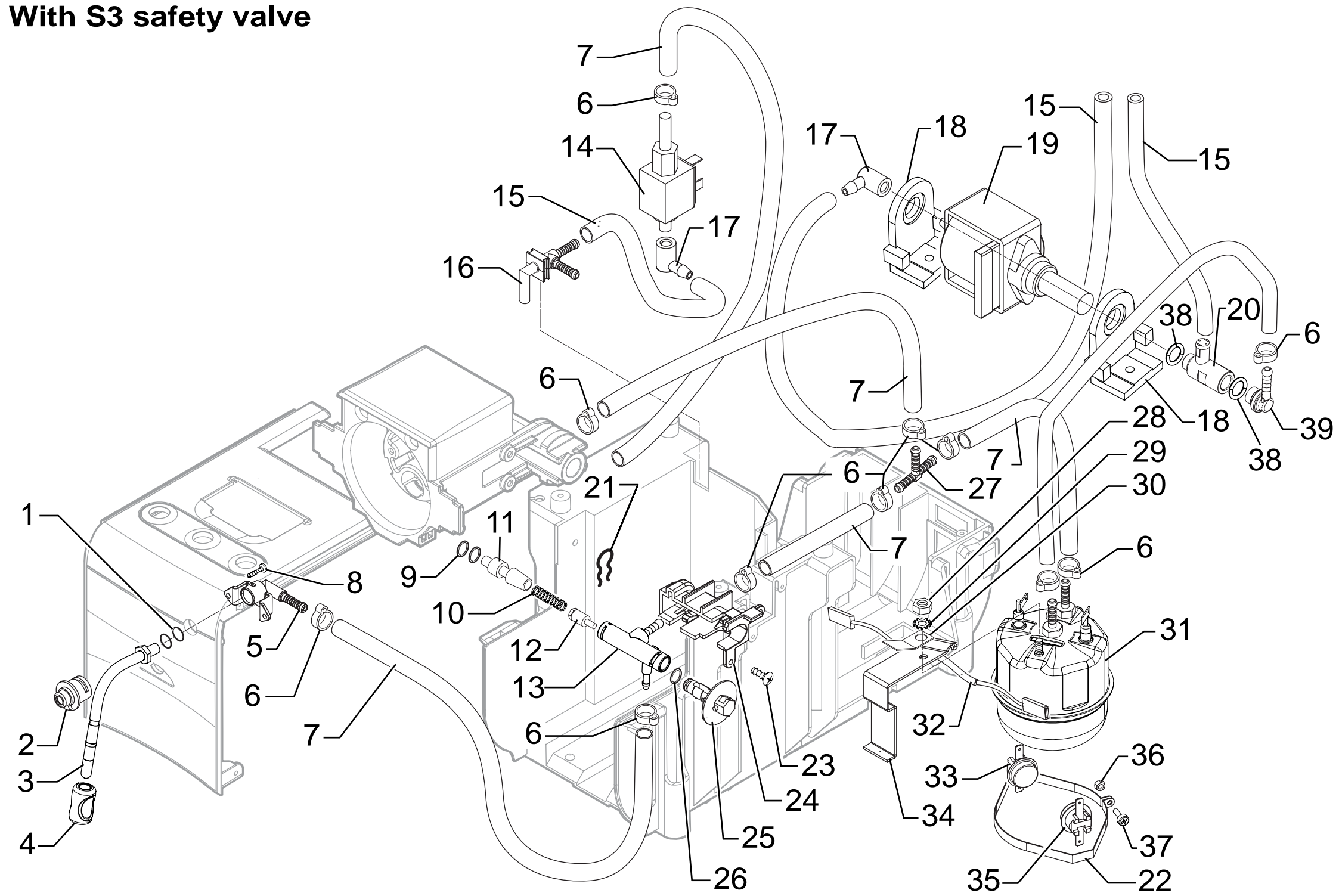
Up to S/N:9011SC10080093
With standard safety valve



E71081

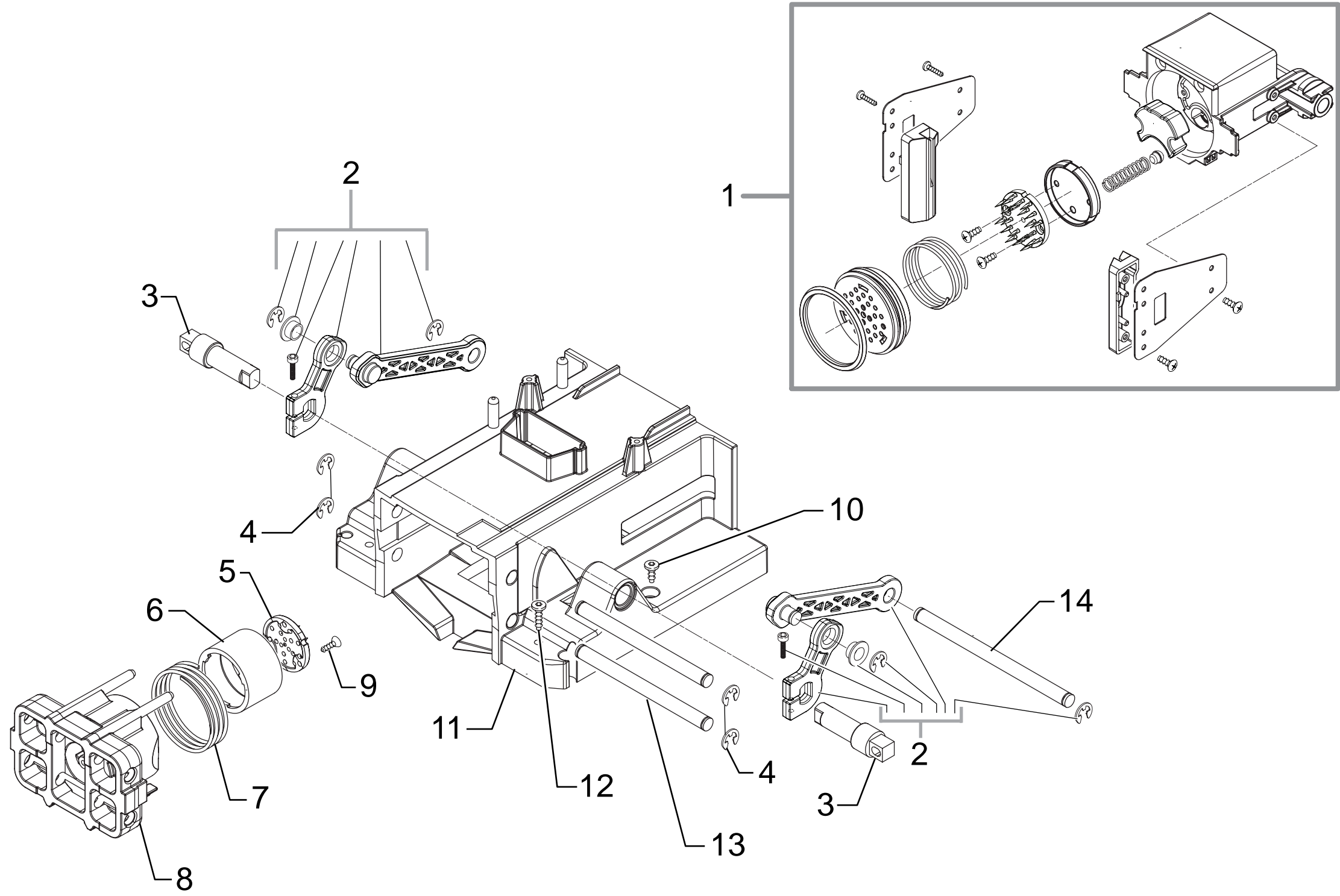
Pos	Article-Nr.	Description	Pos	Article-Nr.	Description
1	140324461	OR ORM 0060-20 IN TERMOIL			
2	141711350	BLACK PC BUSH FOR STEAM TUBE P11			
3	11013342	CHROM.STEAM TUBE V3 P604 ASSY.			
3	11007926	CHROM.STEAM TUBE P604 ASSY.			
4	11008991	BLACK STEAM TUBE HANDGRIP P604			
5	11007447	BLACK CONNECTOR FOR BUSH+STEAM T			
6	12000892	OETIKER CLAMP D=9,5 16700004			
7	16000380	5X8,9 SILICONE TUBE IN ROLL			
8	U110.010	SCREW AUT.TCB 2,9X6,5 DIN 7981 F			
9	140328059	OR 2015 IN SILICONE PTFE/FDA			
10	126765317	STEEL SPRING BOILER PISTON MAGIC			
11	11009007	TEA/BRASS STEAM FAUCET PLUG			
12	11009018	TEA/BRASS PISTON L=15,1 ASSY.			
13	11011889	TEA/BRASS STEAM FAUCET V2 P604			
14	12001223	JIAYIN SOLENOID VALVE P604 230V			
15	JS01.022	SILICONE TUBE 5X10 60SH IN ROLL			
16	11007452	BLACK OPEN DRIP TRAY CONNECTOR P			
17	147920150	90° INLET PUMP CONNECTOR			
18	17000449	BLACK PUMP SUPPORT V2 P604			
19	12000140	ULKA PUMP EP5/S GW 230V-50HZ			
19	12000167	ULKA PUMP EP5/S GW 240V-50HZ			
20	11004689	TEA/BRASS SAFETY VALVE 16-18 BAR			
21	9011.144	SS FORK FOR TUBE D=4			
22	11005973	THERMOST.FIXER SPRING BOILER AUT			
23	129660302	PANELVIT TCB SCREW 3X10 DIN 750			
24	11007446	BLACK FAUCET SUPPORT P604			
25	140640300	FAUCET SHAFT SMART			
26	140328561	OR D=4,18 X 1,90 IN TERMOIL			
27	11007493	T CONNECTOR FOR BOILER P604			
28	U302.003	GALV.NUT HEXAGONAL M4 UNI 5588			
29	128310402	GALV.WASHER UNI 8842 A4			
30	124390520	BRASS BENT FASTON 45° 6,3X0,8			
31	20000921	TEA/BR-SS BOILER AUT/CAPS P604 2			
32	11006956	CABLE 1 WIRE SILIC.BLUE TH/FUSE			
33	12000817	THERMOSTAT 87° US-622PXRDN0			
34	11008031	STEEL BOILER SUPPORT P604			
35	12000818	THERMOSTAT 127° US-622PXRDN0			
36	U310.001	GALV.SELF LOCK. NUT M3 UNI 7473			
37	129570802	SCREW TAPT M3X10 DIN 7985 GALV.			

From S/N:9011SC10080094
With S3 safety valve



E71081

Pos	Article-Nr.	Description	Pos	Article-Nr.	Description
1	11007914	TEA/BRASS BLK MEC.MOVE CHAMBER P			
2	20000940	KIT SPARES BLACK CRANK MECH.MOVI			
3	11007486	ZAMA PIN FOR HANDLE MECH.P604			
4	12000850	LOCKING SHAFT RING D=6 UNI 7434			
5	11014278	PEEK LB2-LB5UPPER DRILLING SUPPO			
6	11007467	BLACK RING FOR MECH.FIX CHAMBER			
7	11007490	SPRING FOR RING FIX CHAMBER MECH			
8	11007466	BLACK FIX CHAMBER FOR MECH.P604			
9	129912621	SCREW PT KB 30X8 WN 1413 INOX A2			
10	129912104	SCREW TCBR TORX 20 4X10 PLAST.ZN			
11	11007427	BLACK MECH.SUPPORT P604			
12	V411760	SCREWS 3.9X16 TORX			
13	11007485	STEEL PIN FOR FIX CHAMBER MECH.P			
14	11007484	STEEL PIN FOR MOVE CHAMBER MECH.			



E71081

Pos Article-Nr. Description

Pos Article-Nr. Description
