

# Necta Grinder and Coffee Doser Adjustment

## ADJUSTING THE GRADE OF GRINDING

When a variation in the grade of grinding is desired, turn the relevant adjusting knob on the grinder (see Fig. 22) and more specifically:

- turn the knob anticlockwise for coarser grinding;
- turn the knob clockwise for finer grinding.

For optimum results, it is advisable to vary the grade of grinding with the coffee grinder motor running.

**NB: After a adjustment of the grade of grinding, at least 2 test selections must be performed in order to check the new grade of grinding for ground coffee:**

The finer the grade of grinding the longer the time necessary for dispensing the coffee and vice versa.

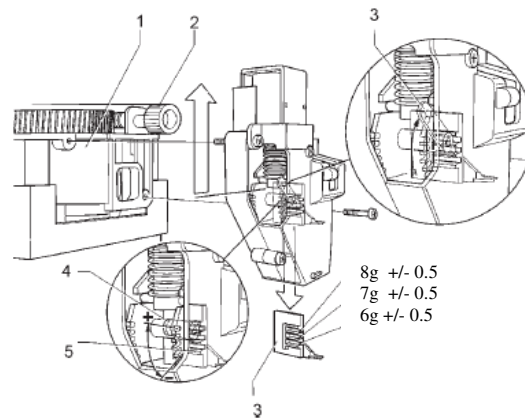


Fig. 22

- 1 - Coffee grinder
- 2 - Grinding adjusting knob
- 3 - Dose regulator
- 4 - Dose adjusting lever
- 5 - Reference notches

## ADJUSTING THE COFFEE DOSE

The dose adjusting lever can be positioned in one of the 6 reference notches bearing in mind that:

- the dose is increased by lifting the lever;
- the dose is reduced by lowering the lever;
- every notch changes the dose by approx. 0.25 g.

In addition, when the lever is fully rotated upwards, the ratchet can be released from the groove in the dose regulator (see Fig. 20) and replaced into a different groove to change the average dose setting to:

- low 6 g ± 0,5

- medium 7 g ± 0,5

- high 8 g ± 0,5

To take the dose just remove the coffee unit and use the special function from the "Test" menu in "Technician" mode (see relevant section).